

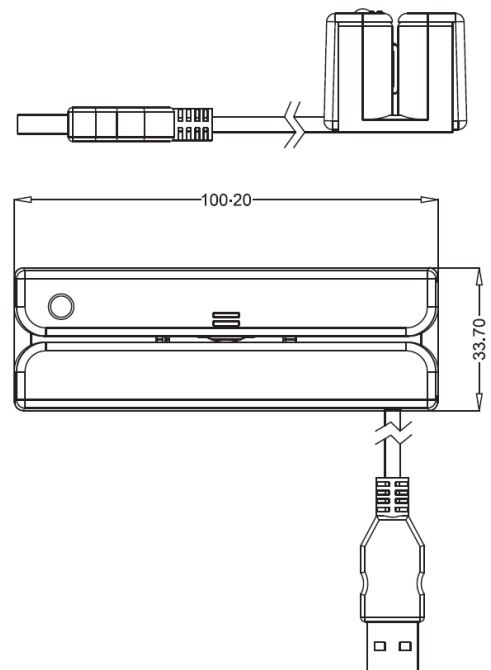
Element MSR213

USB Interface Magnetic Stripe Reader



The Element MSR213 Series USB magnetic stripe readers are ideal for retail, time keeping, security and other card reader related applications. The triple tracks of the MSR213 Series are uniquely designed to read credit/debit/loyalty cards and driver licenses, conforming to wide range of standards.

- > Reads and converts magnetic stripe data to USB
- > USB HID/USB keyboard interface
- > Firmware downloadable
- > Reads magnetic stripe cards conform to ISO 7811, AAMVA and custom data formats
- > Manual swipe, bi-directional with USB interface output
- > Reads high and low coercivity magnetic stripes (300- 4000 Oe)
- > 15KV air ESD protection
- > Reliable for over 1M swipes
- > LED and beeper for reading status



Technical Specifications - MSR213

Item	Parameter	
Mechanical	Body Material:	ABS 94V-0
	Dimensions:	100 mm L x 34 mm W x 128 mm H
	Weight:	Approx. 120 g
	Connector:	USB Type A Plug
	Card Handling Method:	Manual swipe, bi-directional
Environmental	Operating Temperature:	14°F to 122°F (-10°C to +50°C)
	Storage Temperature:	-22°F to 158°F (-30°C to +70°C)
	Operating Humidity:	10% to 90%
	Storage Humidity:	10% to 90%
Electrical	Power Requirement:	+5VDC±10% from USB Port
	Power Consumption:	35mA max. in normal condition
	Interface:	USB HID or USB keyboard emulation interface, Andriod support
	Vibrator	Vibrator motor
Performance	Read Card Format	Track 1: Bit Density 210 bpi Track 2: Bit Density 75 bpi Track 3: Bit Density 210 bpi
	Card Types:	Magnetic cards as per ISO7810, 7811, AAMVA
	Read Capability:	Magnetic stripe - dual or triple track of low/high coercivity (300~4000 Oe)
	Test Card Types	Standard card: Read Speed 5~55 ips Jitter±15%: Read Speed 5~50 ips Amp.60%: Read Speed 5~50 ips
	Card Thickness:	0.76 ±0.08mm
	Error rate:	<0.5%
	Magnetic Head Life:	1 M Swipes

* Specifications may change without notification (E&OE)