

ELEMENT K27S

27" Large Touch Panel PC



Power Efficiency and AI at Scale

K27S boasts the latest Intel® Alder Lake-N and Meteor Lake platforms, offering exceptional performance and efficiency. Its seamless compatibility with Windows, Linux, and Android 13 ensures flexibility and reliability for all your operational requirements.

G35 Motherboard	G75U Motherboard	
Intel® Alder Lake-N N97, i3-N305	Intel® Meteor Lake Core Ultra 5 125U	
 Windows	 Linux	 android

Broader Screen for Exceptional Interaction

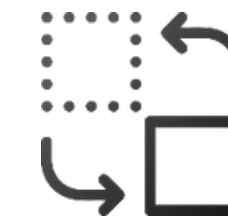


27"

The K27S boasts a 27" Full HD (1920 x 1080) display, offering stunning visuals and wide viewing angles. Its advanced PCAP multi-touch technology ensures precise, responsive interaction. Ideal for retail and hospitality, it delivers vibrant visuals and seamless interactivity for engaging digital experiences.

Unlock Innovation with Modular Design

Seamlessly integrated at the rear, a detachable PC module enables easy transformation into a Box PC, supporting effortless replacement and promoting sustainable reuse practices.



Easy Change!



Easy Reuse!



intel
CORE
ULTRA 5

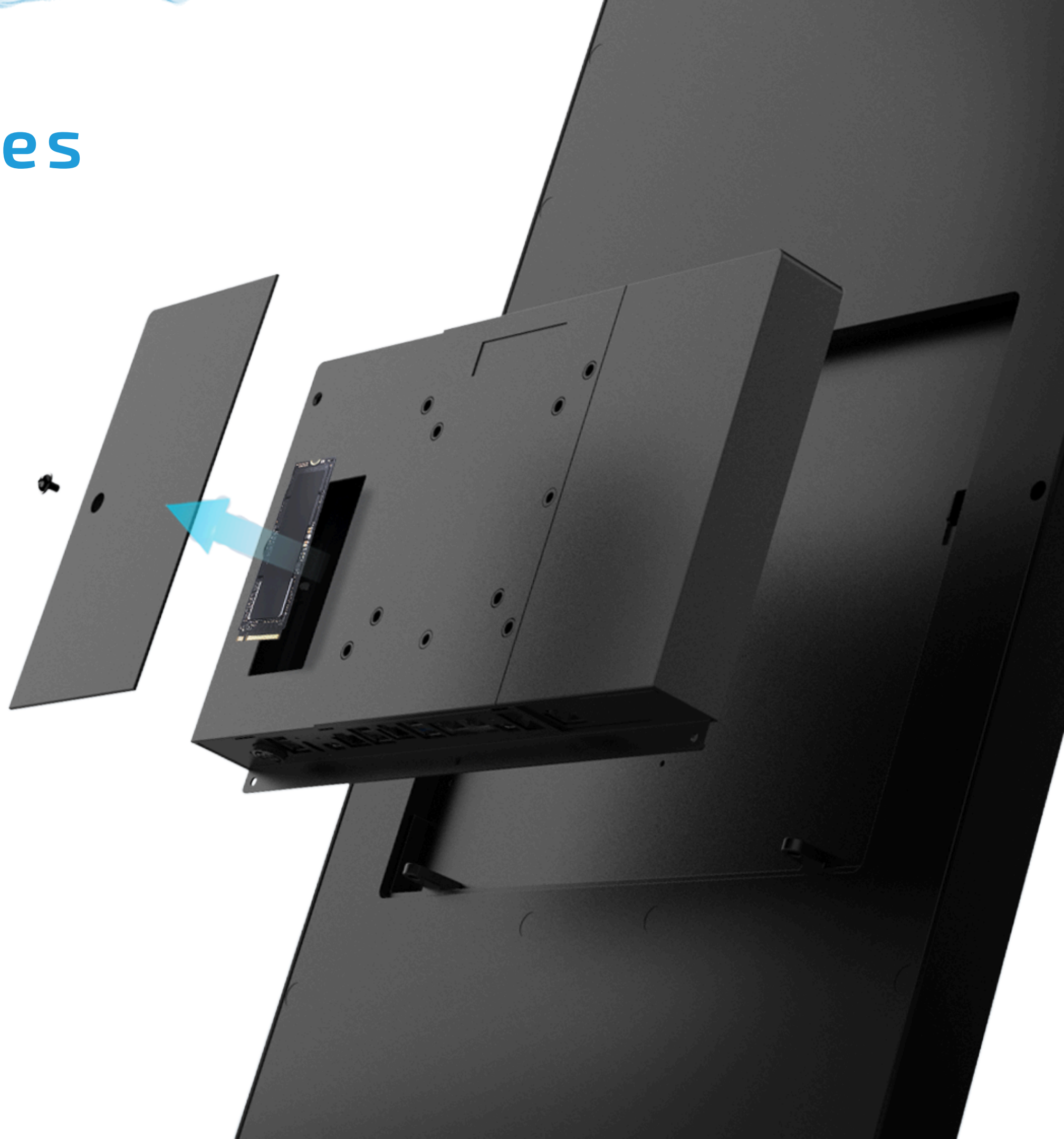
14th Gen Intel CPU
Meteor Lake

intel

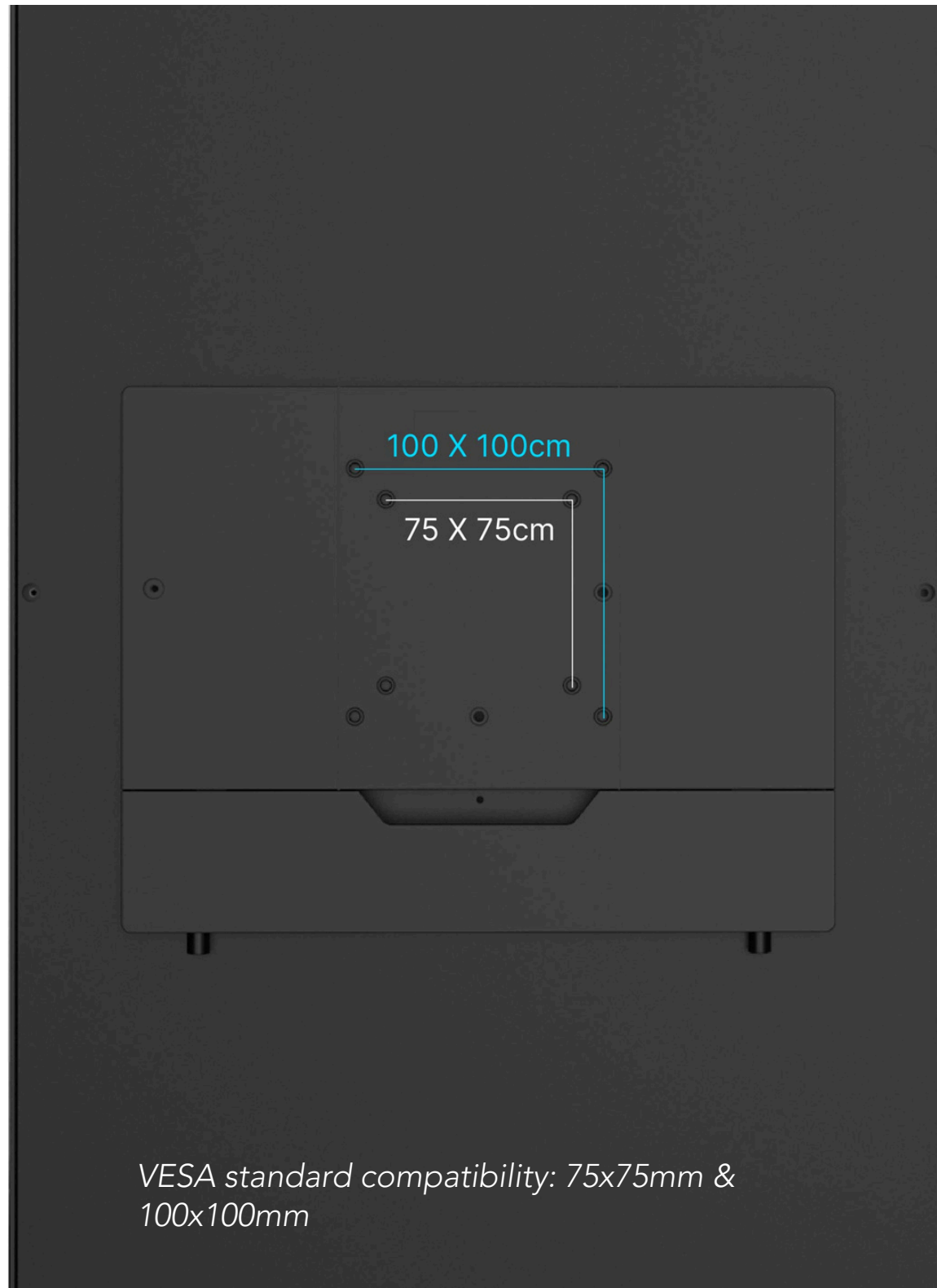
12th Gen Intel CPU
Alder Lake-N

Easy Access to Services

Swiftly access and replace your SSD by simply removing the rear plate. This user-friendly feature ensures seamless operations and minimal downtime, keeping your business running smoothly.



Flexible Installation for Diverse Applications



VESA standard compatibility: 75x75mm & 100x100mm

Wall-mounted



Floor Stand



The K27S offers flexibility with dual installation options. Whether mounted on a floor stand for an interactive kiosk setup or securely attached to the wall for a streamlined display, it adapts seamlessly to your operational needs.

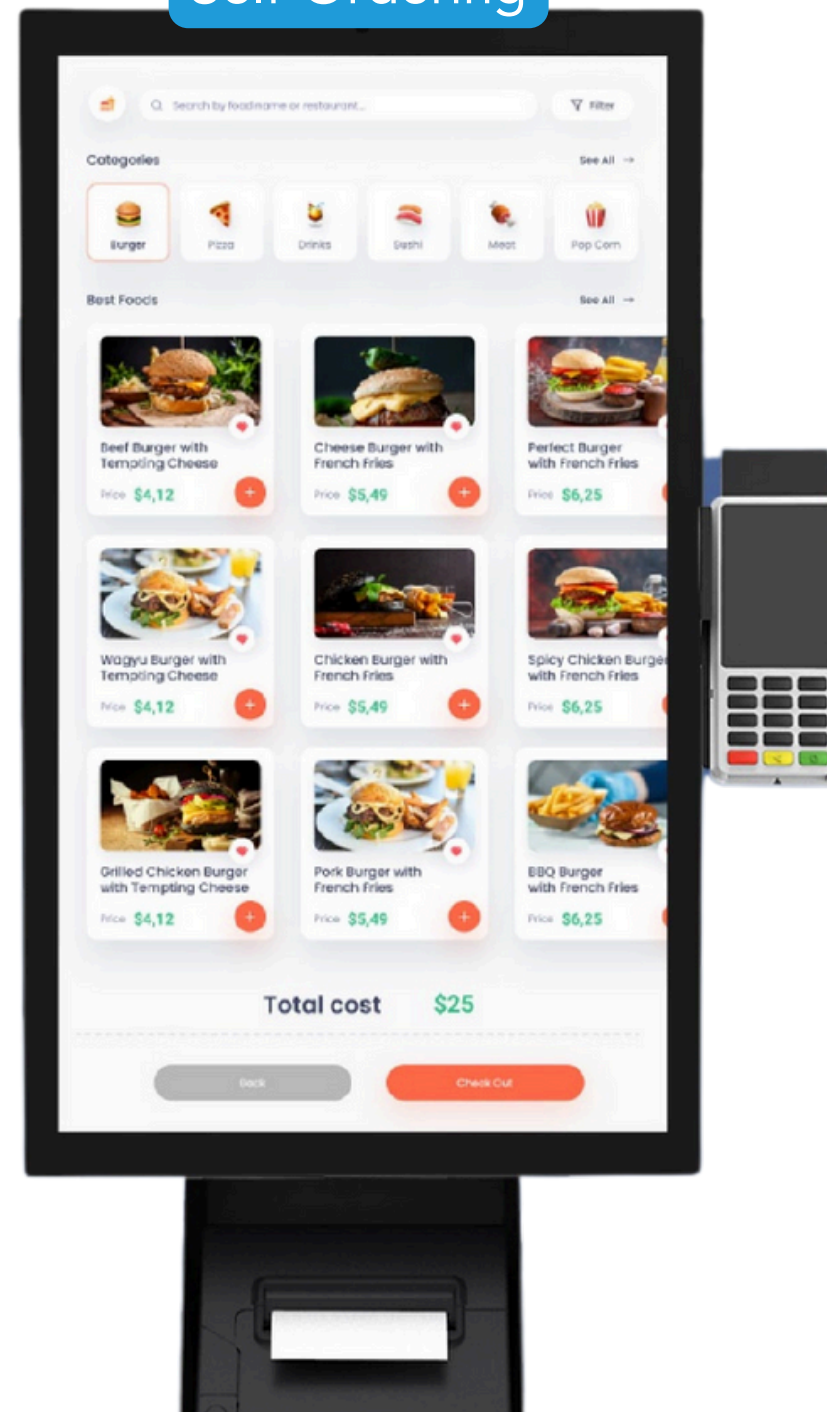
Versatile Touch Solutions for Retail and Hospitality

Whether used in retail stores, quick-service restaurants, or commercial venues, K27S adapts to the demands of modern businesses. It serves as a self-ordering kiosk to streamline operations, a digital signage display, or an information search kiosk to enhance customer engagement and services, delivering reliability, interactivity, and functionality for every retail and hospitality application.

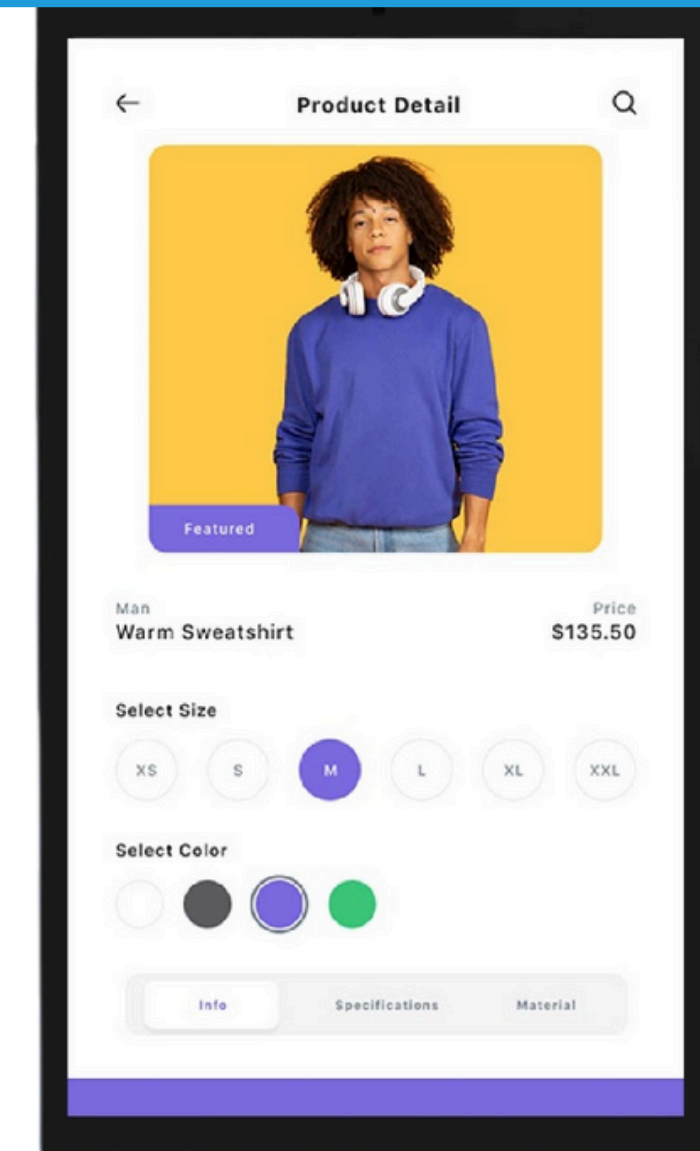
Digital Signage



Self-Ordering



Interactive Information Search



I/O Ports



Power Button

DC Jack

2x USB 2.0

USB-C

FeDP

LAN

2x USB 2.0 [G35]

2x USB 3.0 [G75U]

COM (RJ48)

2x USB 3.0

2x COM (RJ48)

FeDP

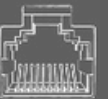
Cash Drawer

Expansion Board Options

2x 12V PUSB + 1x 24V PUSB



2nd LAN



I/O Ports

Item	Parameter		
	Motherboard	G35	G75U
System	Processor	Intel® Alder Lake N97, i3-N305	Intel® Meteor Lake Core Ultra 5 125U
	Memory	4G/8G (DDR4)	4G/8G (DDR5)
	Storage	128G/256G SSD (M.2)	
Display	Size and Resolution	27" 1920 x 1080	
	Touch Screen	True-Flat PCAP multi-touch	
I/O Ports	USB Type-A	2x USB3.0, 4x USB2.0	4x USB3.0, 2x USB2.0
	USB Type-C	1x USB3.0 full-functioned (DP/PD 5V/3A, 12V/3A)	
	FeDP	2x proprietary miniDP (1 for the main display, 1 for the 2nd display)	
	Serial Port	3x RJ48 (standard RS232) (default 0V; 5V; 12V)	
	LAN	1x RJ45	
	Cash Drawer	1x RJ11	
	DC Jack	1x 4PIN (with latch)	
	Power Button	1	
	Powered USB	2x 12V PUSB, 1x 24V PUSB	
Expansion I/O Ports (Option)	Secondary LAN	1x RJ45	
Audio	Internal Speaker	1x 3W	
Indicator	Power Button	1	
Power	Power Adapter	65W/19V (120W/19V with PUSB12V & 24V)	120W/19V
Communication	WLAN + BT	Wi-Fi 6 + BT 5.2 (Option)	
Peripheral (Option)	Camera	5MP Camera (Option)	
Certificate	EMC & Safety	FCC Class A, CE Mark Class A, LVD	
Environment	Operating Temperature	0°C ~ 40°C (32°F ~ 104°F)	
	Storage Temperature	-20°C ~ 60°C (-4°F ~ 140°F)	
	Humidity	20% ~ 85% RH non-condensing	
Dimensions	W x H x D	652 x 383 x 35 mm	
Weight	Weight	5.5 kg	
Mounting	VESA Mount	75 x 75 mm / 100 x 100 mm	
OS Supported		Windows 10 IoT Enterprise, Linux, Android 13.0	

*Product specifications and data are subject to change without notice (E&OE)

ELEMENT K27S

27" Large Touch Panel PC

